



TXS0108EPWR Texas Instruments

XT-ShenZhen is a professional leader China TXS0108EPWR Texas Instruments supplier with high quality and reasonable price. TXS0108EPWR Texas Instruments is a level voltage converter chip produced by Texas Instruments (TI) in the United States, and the original quality assurance is trustworthy. Stable supply, at the most reasonable price, to provide the best quality. For more electronic components, please contact us!!! Welcome new and old customers to continue to cooperate with XT-ShenZhen® to create a better future together! Every request from customers is being replied within 24 hours.

TXS0108EPWR Texas Instruments is a level voltage converter chip produced by Texas Instruments (TI) in the United States, and the original quality assurance is trustworthy. Stable supply, at the most reasonable price, to provide the best quality. For more electronic components, please contact us!!! You are welcomed to come to XT-ShenZhen® to buy the latest selling, low price, and high-quality products. We look forward to cooperating with you

Product Description

The TXS0108EPWR Texas Instruments is an 8-bit non-reverse converter that uses two independent configurable power rails.

Port A tracks the supply voltage of the V_{CCA} pin. The V_{CCA} pin accepts any electrical voltage from 1.2V to 3.6V.

Port B tracks the supply voltage of the V_{CC} pin. The V_{CC} pin accepts any supply voltage from 1.65V to 5.5V.

These two input supply pins enable the arbitrary low-voltage bidirectional conversion between 1.2V, 1.8, 2.5V, 3.3V, and 5V voltage nodes.

When the output-enable (OE) input is low, all outputs are placed in a high impedance (Hi-Z) state. To ensure that the output is in the Hi-Z state during power-up or power-down, the OE is connected to GND via a pull-down resistor.

The minimum value of this resistor depends on the driver's ability to pull current. No need for direction control signals, can be widely used in a variety of high-end smart devices, such as handheld terminals, smartphones, tablet computers, desktop computers, etc.

Product parameters

Technical parameters	Supply voltage (DC).	1.20V (min)
	Output current	620μA
	Supply current	8.00μA

Shenzhen Zhen Rong Era Supply Chain Management Co., Ltd.

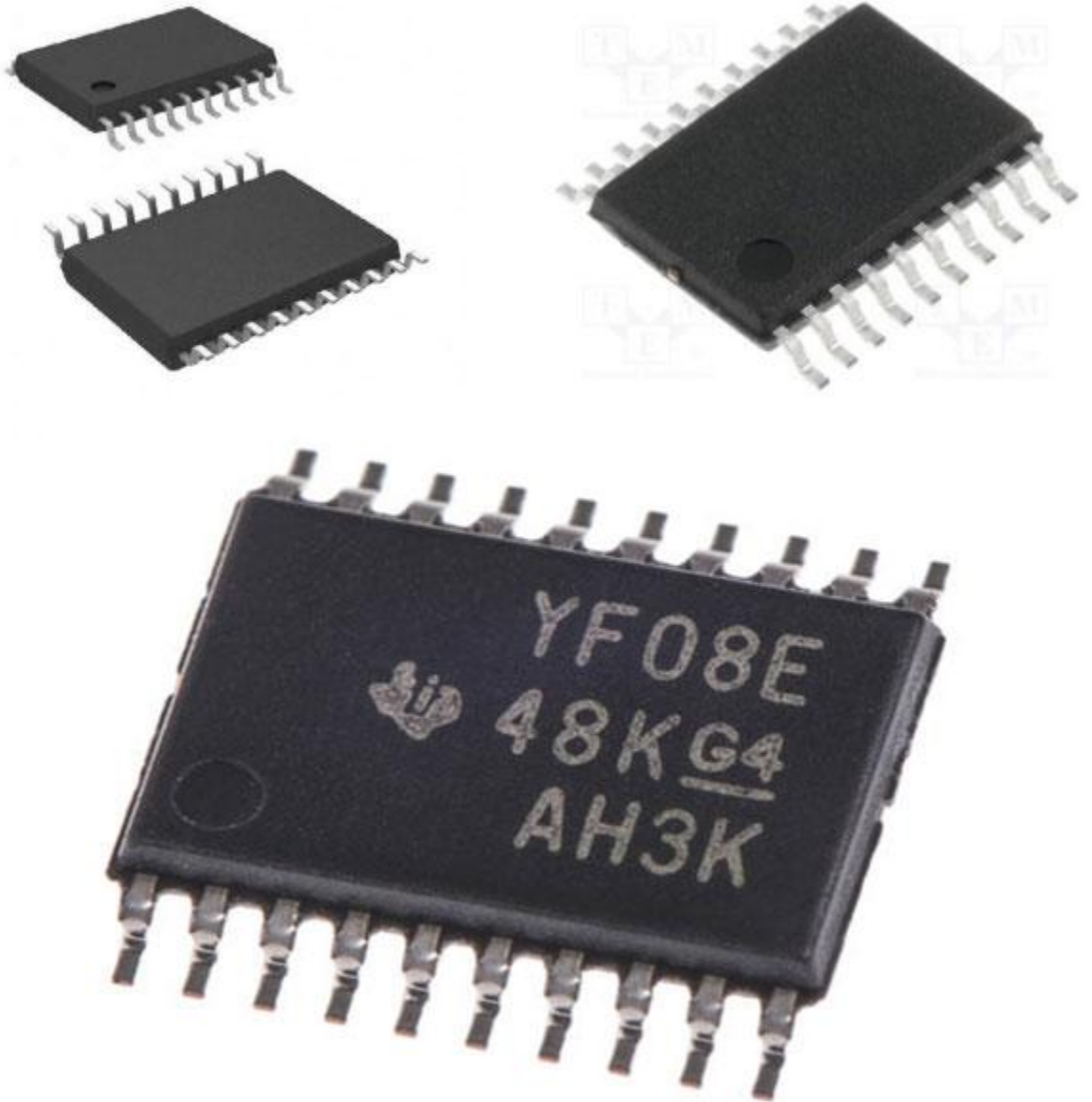
Tel: +86-755-83240078

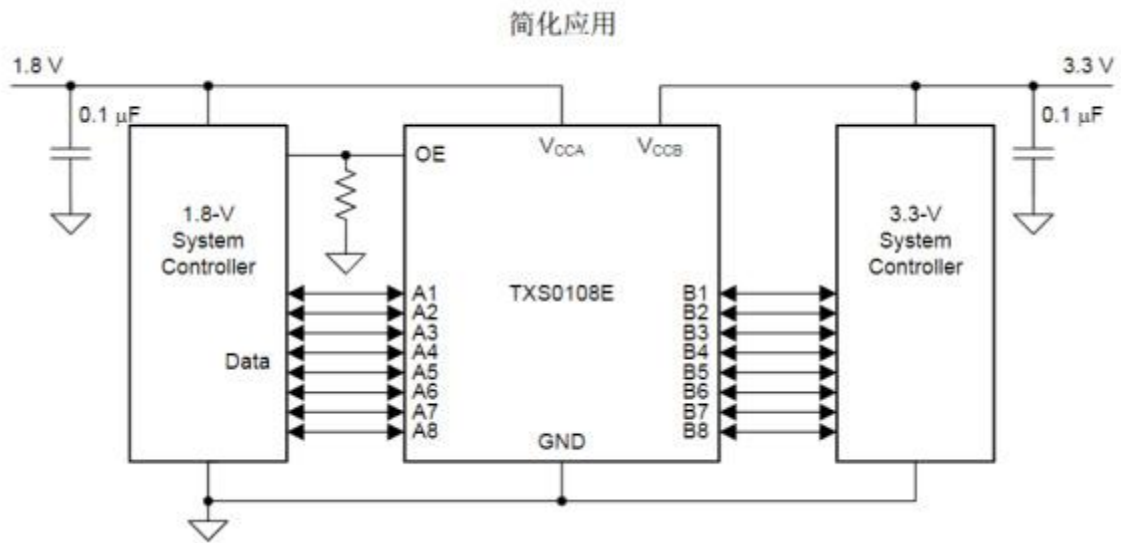
E-mail: jack-sellandbuycomponents@xt-shenzhen.cn

Phone: +86-13927462033

	The number of pins	20
	Operating Temperature (Max)	85°C
	Operating Temperature (Min)	-40°C
	Supply voltage (Max)	5.5V
	Supply voltage (Min)	1.2V
	encapsulation	TSSOP-20
	Number of circuits	1
	Number of channels	8
	Data rate	60.0 Mbps
	Rise time	6.3 ns
	Package size (table value)	6.50mm*6.40mm

Product display





FAQ

Q: How do you pack your goods?

A: Each of our shipments is vacuumed and padded wrapped. Make sure there is no damage in transit.

Q: Are your products genuine?

A: Yes, all the products produced by our company are produced by the original factory, and the original authentic products are guaranteed.

Q: Are your shipments fast?

A: Yes, TXS0108EPWR Texas Instruments are in stock, and the fastest can be delivered on the same day.

If you have any questions, please contact us!!!